

1.

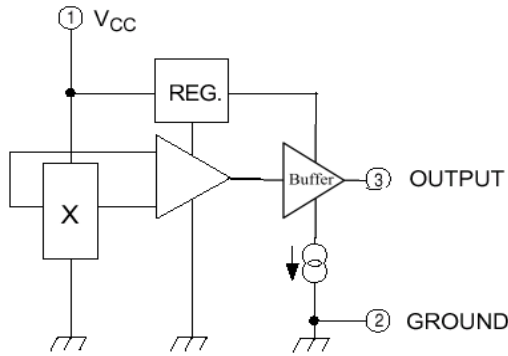
2.



21. žilna žila OQ

1.

6.



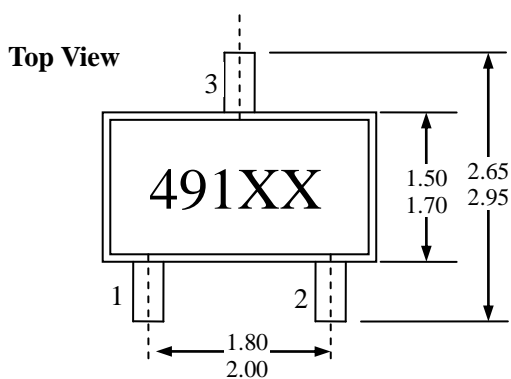
7.

( $T_A = 25^\circ\text{C}$ ,  $V_{CC} = 5.0\text{V}$ )

	$V_{CC}$	Operating	2.5	5	6.5	V
	$I_{CC}$	Average		2	3	mA
	$R_O$				120	$\Omega$
	$V_{sen}$		13	15	17	mV/Gs
	$V_O$	$B = 0\text{Gs}$	2.35	2.5	2.65	V
			0		0.1	V
			4.9		5	V

8.

8.1 SOT-23



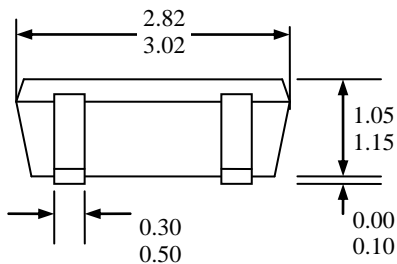
**Notes:**

- 1 . mm
- 2 . Flash
- 3 . 1mm
- 4 . 1
- 2
- 3

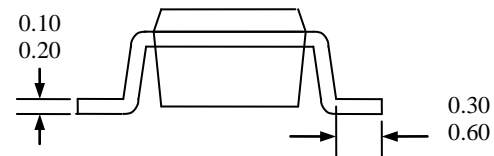
**Marking:**

491 - HAL491  
 XX -

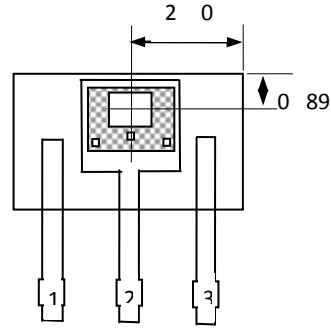
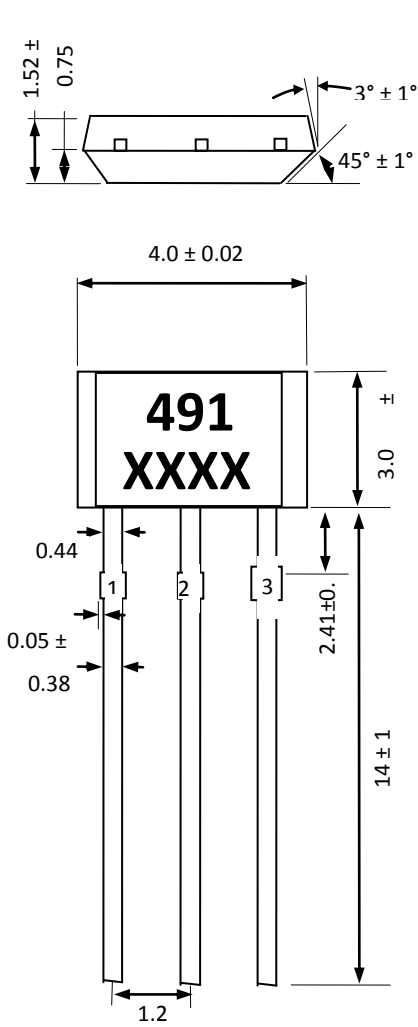
**Side View**



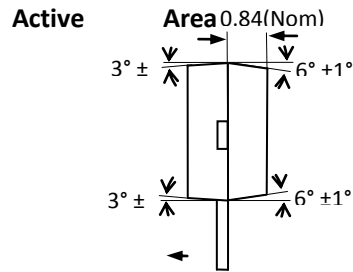
**End View**



8.2 TO-92S



Sensor



Notes:

- 1 . mm
- 2 . Flash
- 3 . 1mm
- 4 . 1
- 2
- 3

Marking:

491 - HAL491  
 XXXX -