

双极型霍尔效应传感器

1.

HAL40A

60V

-40 125



2.

- ◆
- ◆
- ◆
- ◆
- ◆
- ◆
- ◆

0 100KHz  
-40 125

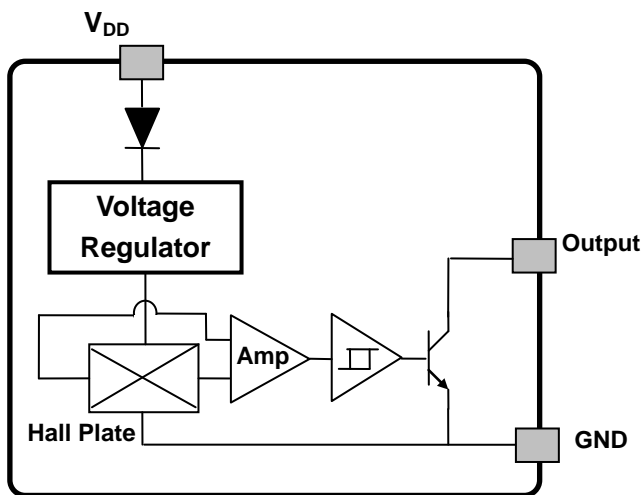
60V

3.

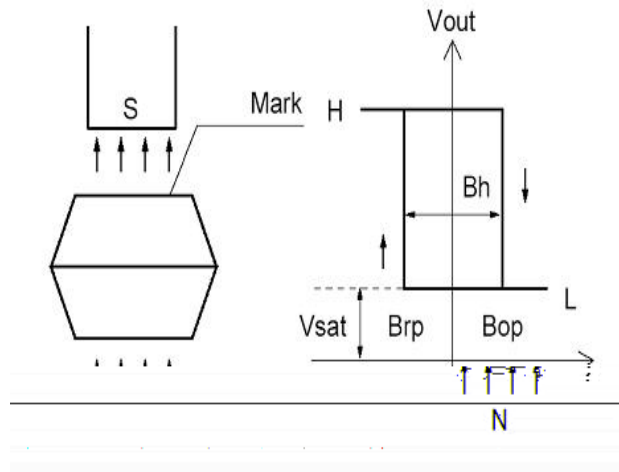
- ◆
- ◆
- ◆

( )

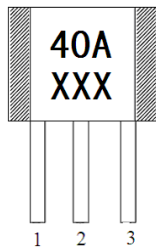
4.



5.

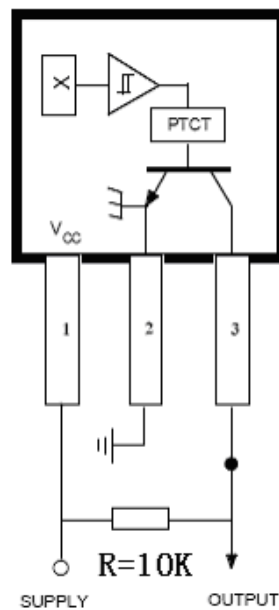


6.



$V_{DD}$	1	P	
GND	2	P	
Output	3	O	

7.



8.

	$V_{DD}$	24	V
	$I_{DD}$	50	mA
	$V_{OUT}$	24	V
	$I_{OUT}$	50	mA
	$T_A$	-40 ~ 125	
	$P_D$	500	mW
	$T_J$	165	
	$T_S$	-65 ~ 150	

9.

 $(T_A = 25 \text{ }^\circ\text{C})$ 

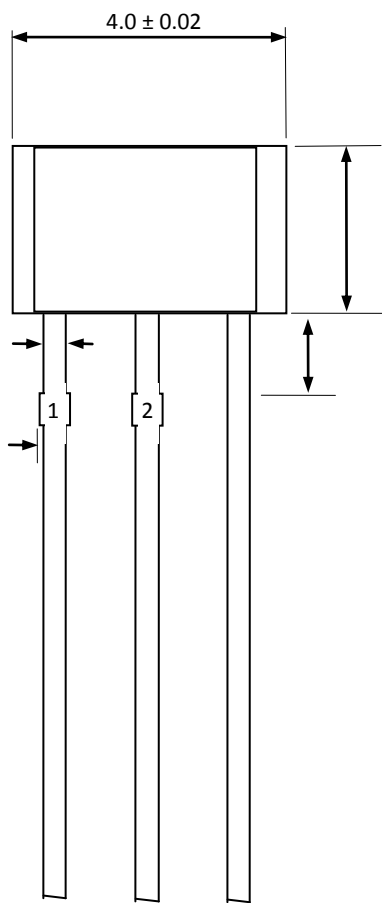
	$V_{DD}$	Operating	4.5		24	V
	$I_{DD}$	$V_{DD} = 12V$		5.0	10	mA
	$V_{DS\ on}$	$B > B_{OP}, I_{OUT} = 20mA$		0.45	0.60	V
	$I_{ON}$	$B > B_{OP}$			10	mA
	$I_{OFF}$	$B < B_{RP}$			10	$\mu A$
10% ~ 90%	$T_R$	$V_{CC} = 12V, R_L = 1.1K\Omega,$ $C_L = 20pf$		0.2	1.5	$\mu s$
90% ~ 10%	$T_F$	$V_{CC} = 12V, R_L = 1.1K\Omega,$ $C_L = 20pf$		0.5	1.0	$\mu s$

10.

 $(V_{CC} = 5V, T_A = 25 \text{ }^\circ\text{C})$ 

	$B_{OP}$	5	35	70	Gs
	$B_{RP}$	-70	-35	-5	Gs
	$B_{HYS}$	60	70	90	Gs

11. - UA TO-92S



12.

HAL40A	UA (TO-92S)