

Omni-polar, Low Power, MR Switch Sensor

Feature

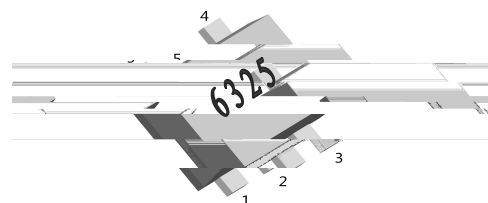
-
-
- ± ±
-
-
-
-

Application:

-
-
-
-

Product Description

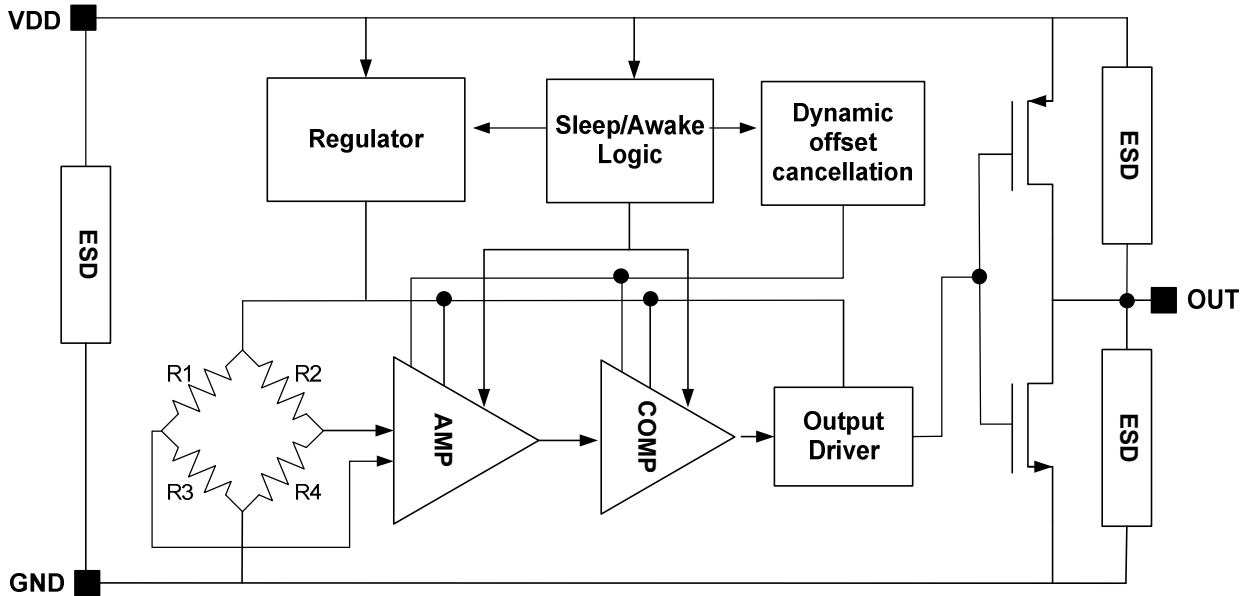
Pin definition



Omni-polar, Low Power, MR Switch Sensor

Family members

Block Diagram

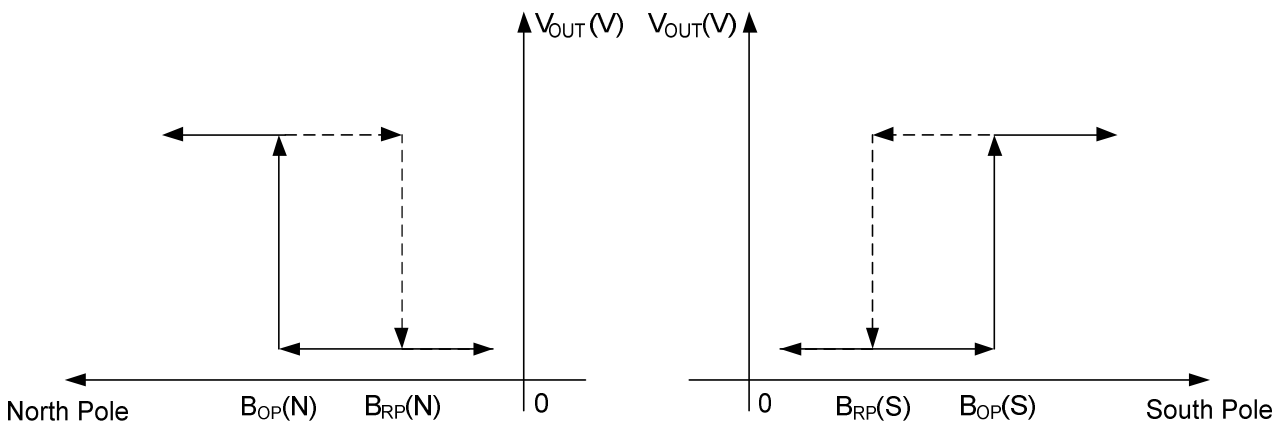


Function Description

Definition of magnetic parameters

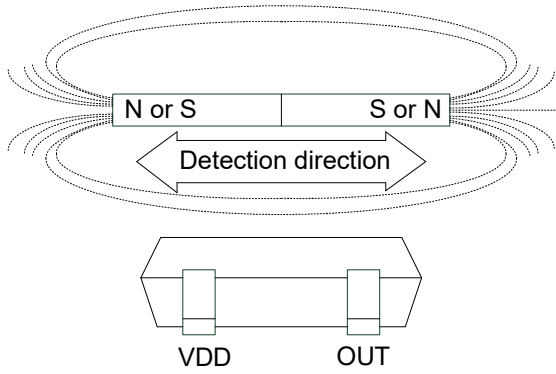


Definition of Switching Function



Omni-polar, Low Power, MR Switch Sensor

Drawing Illustrating Detectable Magnetic Field





Omni-polar, Low Power, MR Switch Sensor

Absolute Maximum Rating

Electrical Characteristics

Symbol	Parameters	Test Conditions	Min	Typ	Max	Units
	()					

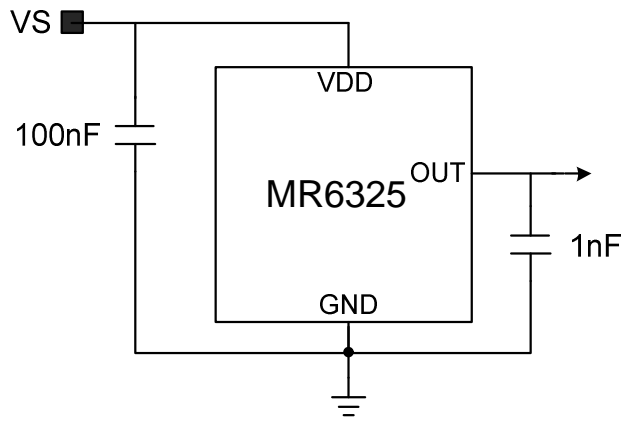
Magnetic Characteristics

Symbol	Parameters	Test Conditions	Min	Typ	Max	Units

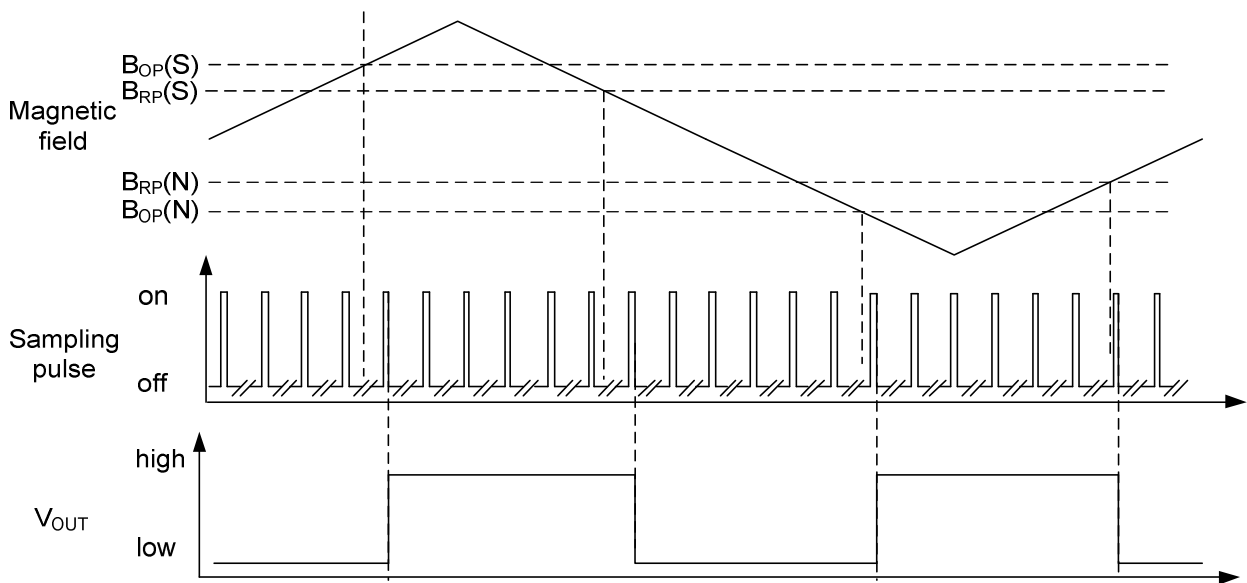
Omni-polar, Low Power, MR Switch Sensor

Application Information

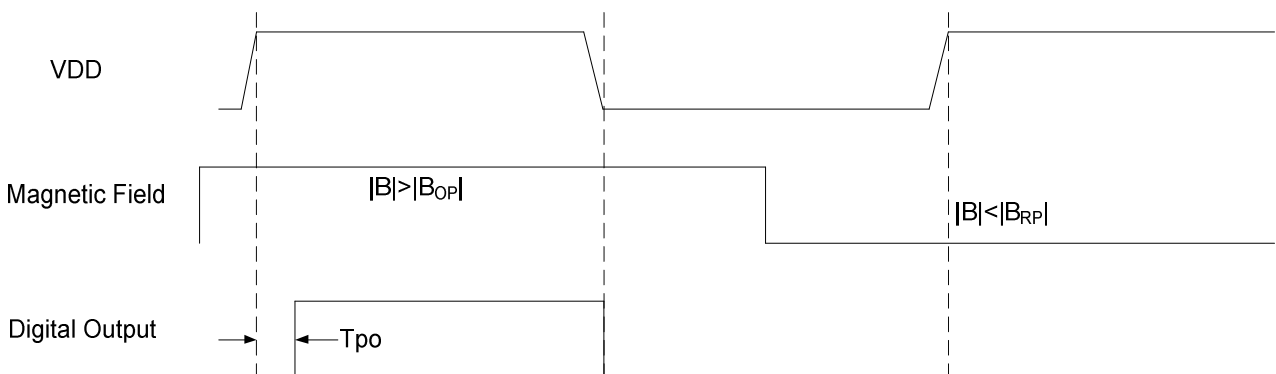
Typical Application Circuit



Operating Waveform



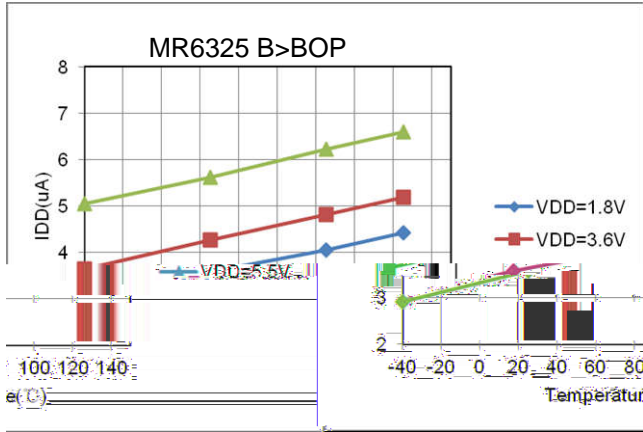
Power-On Waveform



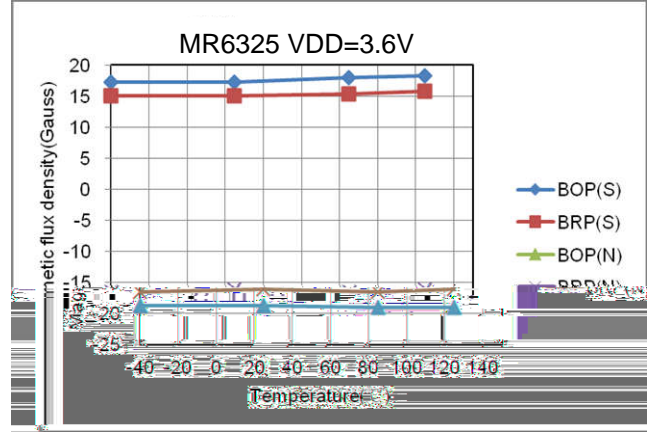
Omni-polar, Low Power, MR Switch Sensor

Characteristic Performance

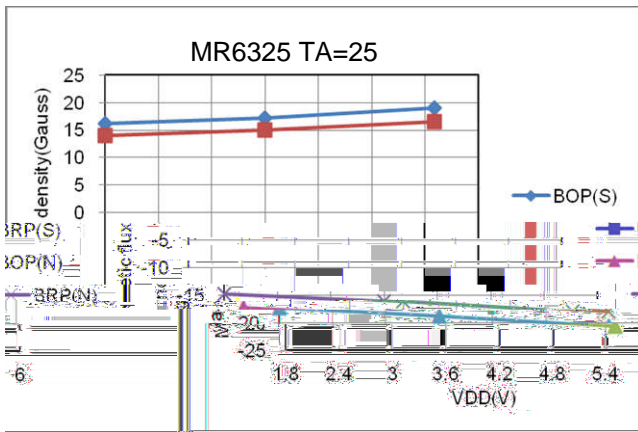
Average Supply Current versus Temperature



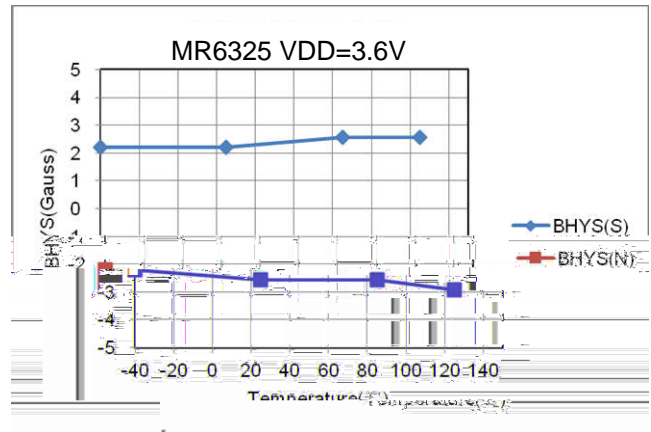
Magnetic Characteristics versus Temperature (V_{DD}=3.6V)



Magnetic Characteristics versus Supply Voltage (T_A=25 °C)



Hysteresis window versus Temperature (V_{DD}=3.6V)



Omni-polar, Low Power, MR Switch Sensor

PACKAGE DESIGNATOR

Symbol	Dimensions in Millimeters		Dimensions in Inches	
	Min	Max	Min	Max

