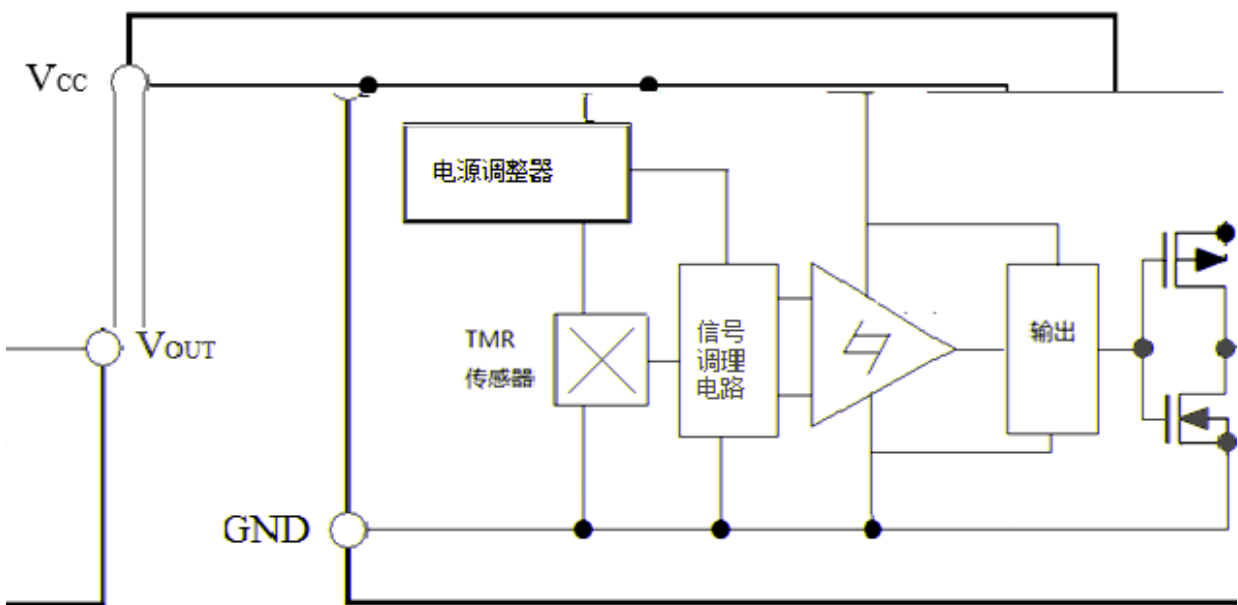
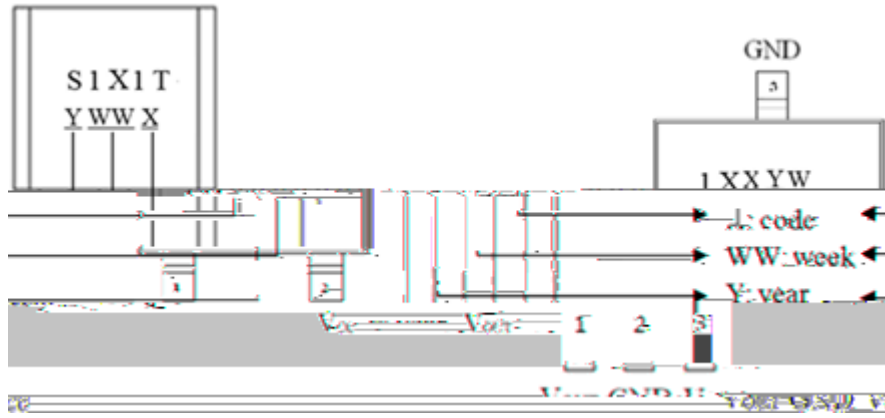


TMR

1.5 (TMR)
1kHz

MRS101 TMR CMOS
CMOS TMR MRS101 TMR CMOS
MRS101 MRS101 1
MRS101 SOT23-3 TO-92S





TO-92S

SOT23-3

	TO-92S	SOT23-3	
V _{OUT}	1	2	
GND	2	3	
V _{CC}	3	1	

	V _{CC}	7	V
	V _{RCC}	0.3	V
	I _{OUTSINK}	9	mA
	B	2800	G
ESD (HBM)	V _{ESD}	2	kV
	T _A	-40 ~ 125	°C
	T _{stg}	-50 ~ 150	°C

(V_{CC} = 3.0V, T_A = 25 °C)

	V _{CC}	1.8	3.0	5.5	V
	V _{OH}	2.7		3	V
	V _{OL}	0		0.2	V
	I _{CC}		1.5		
	F		25 ~ 1000 ¹		Hz

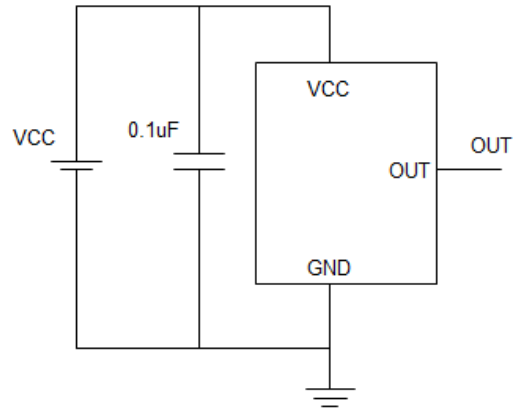
(V_{CC} = 3.0V, T_A = 25 °C)

RY

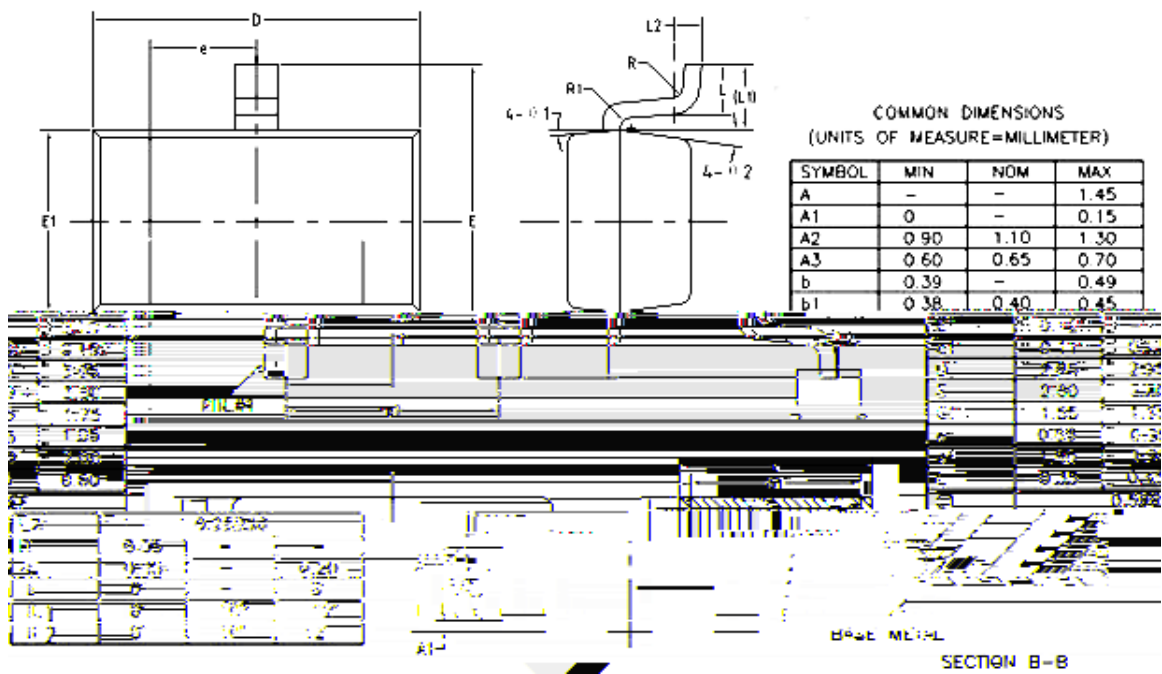
R

TMR
 B_{OP} MRS101
 TMR
 B_{RP} MRS101
 B_H

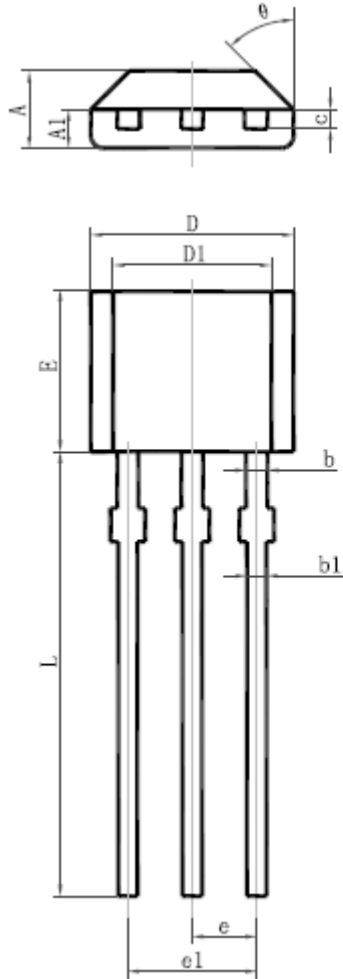
0.1 μF



SOT23-3



TO-92S



Symbol	Dimensions In Millimeters	
	Min	Max
A	1.420	1.620
A1	0.660	0.860
b	0.420	0.550
b1	0.360	0.480
c	0.360	0.510
D	3.900	4.100
D1	2.970	3.270
E	3.050	3.250
e	1.270 TYP	
e1	2.440	2.640
L	15.100	15.500
θ	45° TYP	

TMR

